

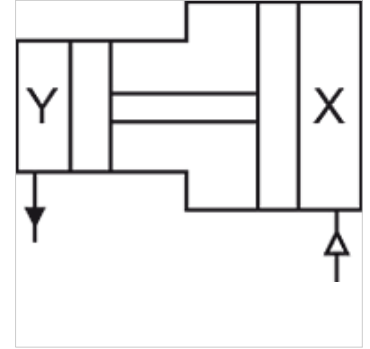
# K-DVST OHNE REGLER

Pressure booster without regulator

**HANSA FLEX**

## 属性

入口压力	2 - 10 bar
出口压力	Max. 20 bar (regulated: max. 16 bar)
温度范围	-10 °C to +50 °C (40 mm bore), -10 °C to +60 °C (63 mm bore)
适用介质	Filtered, unlubricated or lubricated compressed air (if lubrication is used, it must be continuous)
密封材料	NBR
压力调节器	With plastic body
壳体	Aluminium, anodised
管	Anodised aluminium jacket
装配	Any position, with 4 mounting holes
P2:P1	2:1



## 提示

For information about calculating the filling times for different tank sizes, refer to the above-mentioned data sheet available on our website  
其它数据应客户要求提供。

## 描述

Pressure multipliers (boosters) allow a separate compressed air store with up to double pressure to be installed for selected devices in a compressed air system without an external energy source, i.e. it is possible to work with a maximum pressure of 20 bar in a standard 10 bar system (maximum ratio 2:1). This is achieved using a double piston, which is operated by a combination of integrated check valves in such a way that the booster works automatically until the target pressure is reached in a compressed air tank and is then automatically switched off. A tank is always required to build up the pressure and store the compressed air!

## 附加信息

Fixing bracket with nut

## 货品

名称	接口	活塞直径 Ø (mm)	H (mm)	L (mm)
K- 07 25 08 64	G 1/8	40,0	64,0	194,0
K- 07 25 08 66	G 3/8	63,0	98,0	290,0

## 附件

K-ZUBEH ERSATZ LUFT BOOSTER Accessories / spare parts for Air-air-multiplier (booster)