

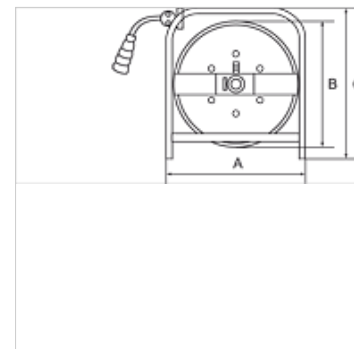
K-SCHL-AUFROLLER MOBIL

Hose reels for mobile applications

HANSA FLEX

属性

软管材料	Polyurethane
工作压力	最大 10 巴
工作温度	-10 °C to +40 °C
入口	Hose stem 8 mm
接口螺纹	Coupling G 3/8



提示

其它数据应客户要求提供。

描述

Specially designed for mobile applications. This 50 m long polyurethane hose is mounted in a portable four-wheel cart made from blue anodised steel. An automatic latching mechanism allows the hose to be engaged at any length. Enclosed spring. Precise locking device for continuous feeding or latching mechanism. Reel guide prevents excessive wear on the hose.

货品

名称	软管尺寸	A (mm)	B (mm)	C (mm)	软管长度 (m)
K- 07 10 06 16	12 mm x 8 mm	452,0	400,0	460,0	50