

K-WANDWINKEL MS

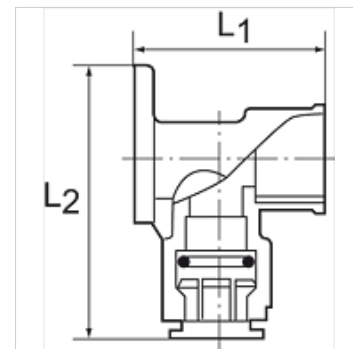
wall elbows, brass

HANSA FLEX

属性

密封材料 NBR

原料 黄铜



附加信息

A detailed brochure containing installation instructions and information about pipe sizing is available for this product range

货品

名称	螺纹	用于套管外径 \varnothing	L1 (mm)	L2 (mm)
K- 07 10 08 65	1/2 BSP	15 mm	47,0	66,4
K- 07 10 08 66	3/4 BSP	22 mm	52,0	79,0