

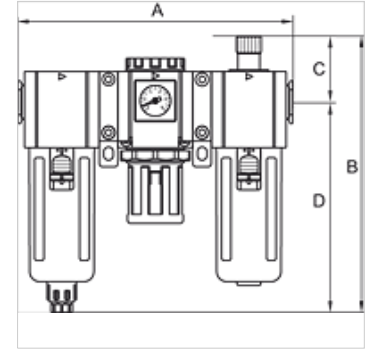
K-WTEH 3-TLG PC-BEHÄLTER S W H G-MINI

Service units, 3-piece with polycarbonate bowl, bowl guard and joiner for wall mounting, semi-automatic drain valve

HANSA FLEX

属性

入口压力	Max. 10 bar
介质温度	max. 70 °C
环境温度	Max. 70 °C
过滤单元中的气孔宽度	5 µm
密封材料	NBR
弹簧罩	POM
壳体	Die-cast aluminium
泄水头	Brass/POM
Drain valve	Semi-automatic
流量值测量	At P1 = 8 bar, P2 = 6 bar and pressure drop $\Delta p = 1$ bar
更多注明信息	User manual on request



货品

名称	螺纹	调节范围	流量 (L/min)	A (mm)	B (mm)	C (mm)	D (mm)	结构尺寸
K- 07 25 14 35	G 1/8	1.5 - 9 bar	500	138,0	132,0 mm	39,0	93,0	200
K- 07 25 14 36	G 1/4	1.5 - 9 bar	500	138,0	132,0 mm	39,0	93,0	200

附件

K-VERSCHLEI-SATZ	Set of wearing parts
K-ERSATZMEMBRANE	Replacement diaphragm
K-ADAPTERPLATTEN HANSA	Adapter plate HANSA
K-FILTERELEMENT	Filter element
K-ERSATZBEHÄLTER G UND G-MINI POLY	Spare tanks »G« Series and »G-minik« Series Polycarbonat
K-VERBINDUNGSELEMENTE	Connecting sets
K-WANDHALTER	Wall bracket