

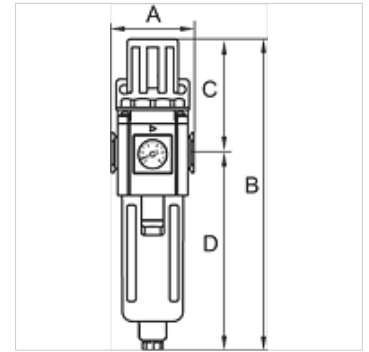
# K-FI REGL PC-BEHÄLTER HW G-MINI

Filter regulators

**HANSA FLEX**

## 属性

|             |  |
|-------------|--|
| 入口压力        | Max. 10 bar  |
| 介质温度        | max. 70 °C   |
| 环境温度        | Max. 70 °C   |
| 过滤元件中的气孔宽度  | 5 µm   |
| 密封材料        | NBR  |
| 弹簧罩         | POM  |
| 壳体          | Die-cast aluminium   |
| Drain valve | Semi-automatic   |
| 流量值测量       | At P1 = 8 bar, P2 = 6 bar and pressure drop $\Delta p$ = 1 bar |
| 更多注明信息      | User manual on request   |



## 货品

| 名称             | 螺纹    | 调节范围        | 流量<br>(L/min) | A<br>(mm) | B        | C<br>(mm) | D<br>(mm) | 结构尺寸 |
|----------------|-------|-------------|---------------|-----------|----------|-----------|-----------|------|
| K- 07 25 07 09 | G 1/8 | 1.5 - 9 bar | 1000          | 38,0      | 161,0 mm | 68,0      | 93,0      | 200  |
| K- 07 25 07 10 | G 1/4 | 1.5 - 9 bar | 1000          | 38,0      | 161,0 mm | 68,0      | 93,0      | 200  |

## 附件

|                                    |  |
|------------------------------------|--|
| K-VERSCHLEI-SATZ                   | Set of wearing parts                                     |
| K-ERSATZMEMBRANE                   | Replacement diaphragm                                    |
| K-ADAPTERPLATTEN HANSA             | Adapter plate HANSA                                      |
| K-ERSATZBEHÄLTER G UND G-MINI POLY | Spare tanks »G« Series and »G-minik« Series Polycarbonat |
| K-FILTERELEMENT                    | Filter element   |
| K-HALTERBAUSATZ                    | Holder   |
| K-VERBINDUNGELEMENTE               | Connecting sets  |
| K-WANDHALTER                       | Wall bracket   |