

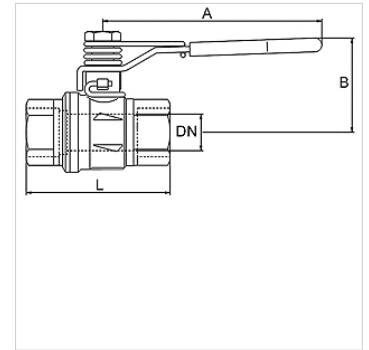
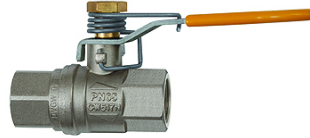
K-S-BKR FEDERRUECKSTELLUNG

Safety ball valve with spring return

HANSA FLEX

属性

| | |
|------|---------------------------|
| 工作温度 | -20 °C to +170 °C |
| 螺纹描述 | Rp thread acc. to ISO 7-1 |
| 弹簧 | Stainless steel 1.4301 |
| 壳体 | Nickel-plated brass |
| 手柄 | Steel - PVC coated |
| 球体 | hardchrome-plated brass |
| 球密封 | PTFE |
| 主轴密封 | FKM |



提示

其它数据应客户要求提供。

描述

2/2-way safety ball valves, two parts, made of nickel-plated brass with spring return. Applications: Compressed air, water, oils, fuel oil, fuels, inert gases. Silicone-free. The ball valve is closed in the normal position and opens against spring force.

货品

| 名称 | DN | 螺纹 | PN (bar) | A (mm) | B (mm) | L (mm) |
|----------------|----|----------|----------|--------|--------|--------|
| K- 07 30 30 40 | 8 | Rp 1/4 | 65 | 100,0 | 40,0 | 50,0 |
| K- 07 30 30 43 | 10 | Rp 3/8 | 65 | 100,0 | 40,0 | 60,0 |
| K- 07 30 30 39 | 15 | Rp 1/2 | 65 | 100,0 | 43,0 | 75,0 |
| K- 07 30 30 42 | 20 | Rp 3/4 | 40 | 120,0 | 51,0 | 80,0 |
| K- 07 30 30 36 | 25 | Rp 1 | 40 | 120,0 | 55,0 | 90,0 |
| K- 07 30 30 38 | 32 | Rp 1 1/4 | 40 | 158,0 | 75,0 | 110,0 |
| K- 07 30 30 37 | 40 | Rp 1 1/2 | 40 | 158,0 | 81,0 | 120,0 |
| K- 07 30 30 41 | 50 | Rp 2 | 40 | 158,0 | 88,0 | 140,0 |