

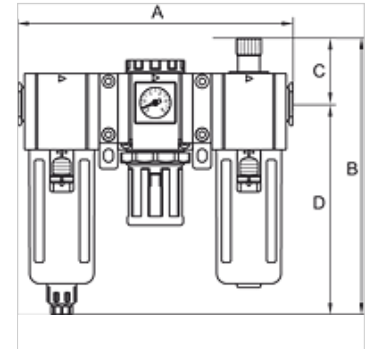
# K-WTEH 3-TLG MET SICHT WAND V G

Service units, 3-piece with metal bowl, sight glass and joiner for wall mounting, fully-automatic drain valve

**HANSA FLEX**

## 属性

入口压力	Max. 10 bar
介质温度	max. 70 °C
环境温度	Max. 70 °C
过滤单元中的气孔宽度	5 µm
密封材料	NBR
弹簧罩	POM
壳体	Die-cast aluminium
泄水头	Brass/POM
Drain valve	Semi- or fully-automatic
流量值测量	At P1 = 8 bar, P2 = 6 bar and pressure drop $\Delta p$ = 1 bar
更多注明信息	User manual on request



## 货品

名称	螺纹	调节范围	流量 (L/min)	A (mm)	B	C (mm)	D (mm)	结构尺寸
K- 07 25 14 32	G 3/4	1.5 - 9 bar	3750	295,0	280,5 mm	61,5	219,0	600
K- 07 25 14 34	G 1	1.5 - 9 bar	3750	295,0	280,5 mm	61,5	219,0	600

## 附件

K-VERSCHLEI-SATZ	Set of wearing parts
K-ERSATZMEMBRANE	Replacement diaphragm
K-ADAPTERPLATTEN HANSA	Adapter plate HANSA
K-FILTERELEMENT	Filter element
K-ERSATZBEHAELTER G UND G-MINI POLY	Spare tanks »G« Series and »G-minik« Series Polycarbonat
K-VERBINDUNGSELEMENTE	Connecting sets
K-WANDHALTER	Wall bracket