

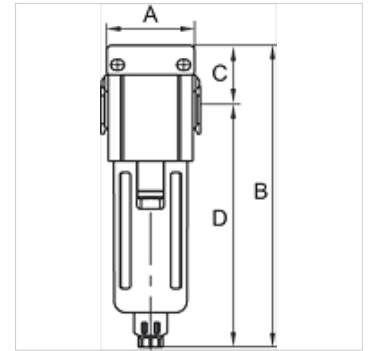
K-FI METALLBEHAEL SICHT H G

Filters with metal bowl, sight glass and »HW« mounting bracket, semi-automatic drain valve

HANSA FLEX

属性

入口压力	Max. 10 bar
介质温度	max. 70 °C
环境温度	Max. 70 °C
工作压力	1.5 - 9 bar
过滤器元件中的气孔宽度	5 µm
密封材料	NBR
壳体	Die-cast aluminium
Drain valve	Semi- or fully-automatic
流量值测量	At P1 = 8 bar, P2 = 6 bar and pressure drop Δp = 1 bar
更多注明信息	User manual on request



货品

名称	螺纹	流量 (L/min)	A (mm)	B	C (mm)	D (mm)	结构尺寸
K- 07 25 06 45	G 3/4	7800	85,0	256,0 mm	37,0	219,0	3
K- 07 25 06 47	G 1	7800	85,0	256,0 mm	37,0	219,0	3

附件

K-ERSATZBEHAELTER G UND G-MINI POLY	Spare tanks »G« Series and »G-mini« Series Polycarbonat
K-SCHUTZKORB G	Protective cage
K-FILTERELEMENT	Filter element
K-HALTERBAUSATZ	Holder
K-VERBINDUNGSELEMENTE	Connecting sets
K-WANDHALTER	Wall bracket