

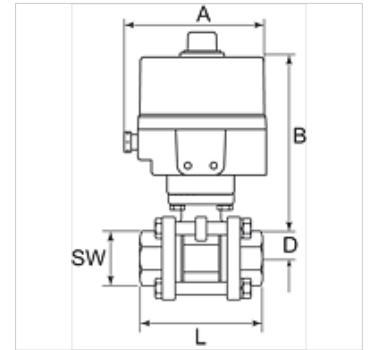
# K-BKR ELK 230 VAC, 50 HZ

Stainless steel ball valves with electric actuator 230 VAC, 50 Hz

**HANSA FLEX**

## 属性

介质温度	-20 °C to +70 °C
工作压力	max. 63 bar (depending on temperature and nominal size)
接通持续时间	ED 30 %
空气湿度	30 % to 95 %
开关位置	Manually operated
保护级别	IP 67
调节时间	13 sec. = 230 VAC, 50 Hz 15 sec. = 24 VDC
环境温度	-20 °C 至 +60 °C
结构长度	DIN 3203 - M3
安装法兰	ISO 5211
壳体	Aluminium, powder-coated
球阀	Stainless steel 1.4401/1.4408
球密封	PTFE, glass fibre-reinforced
开关轴封	PTFE, glass fibre-reinforced



## 提示

其它数据应客户要求提供。

## 描述

Voltage range 230 VAC, 50 Hz or 24 VDC. <br>Reversible electric rotary actuator.

## 货品

名称	DN	螺纹	A (mm)	B (mm)	D (mm)	L (mm)	SW (mm)
K- 07 30 20 58	15	Rp 1/2	152,0	191,0	24,0	75,0	29
K- 07 30 20 59	20	Rp 3/4	152,0	195,0	26,0	80,0	35
K- 07 30 20 60	25	Rp 1	152,0	203,0	29,0	90,0	41
K- 07 30 20 61	32	Rp 1 1/4	152,0	209,0	36,0	110,0	50
K- 07 30 20 62	40	Rp 1 1/2	152,0	219,0	40,0	120,0	58
K- 07 30 20 63	50	Rp 2	152,0	275,0	48,0	140,0	72