

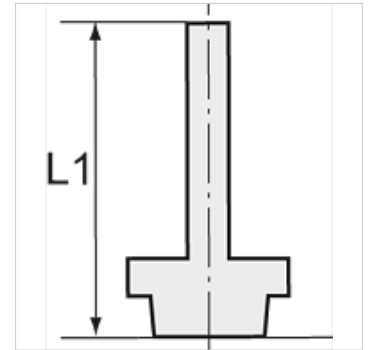
# K-GEWINDE-STECKNIPPEL AGR OR

Push-in plug, parallel male thread with O-ring

**HANSA FLEX**

## 属性

|      |                  |
|------|------------------|
| 工作压力 | Max. 16 bar      |
| 工作温度 | -20 °C to +80 °C |
| 原料   | 黄铜镀镍             |
| 紧压环  | Hostaform        |
| O 形圈 | NBR              |
| 张紧环  | Stainless steel  |



## 提示

其它数据应客户要求提供。

## 描述

The advanced version of our highly successful push-in fittings series manufactured in nickel-plated brass. Advantages of this new, optimised series: Much easier connection and disconnection of the hose, even with repeated mounting, can also be used for non-calibrated hoses, suitable for vacuum operation.

## 货品

| 名称             | 螺纹    | 用于软管外径-Ø | L1<br>(mm) | SW    |
|----------------|-------|----------|------------|-------|
| K- 07 40 47 32 | M 5   | 3 mm     | 17,1       | 5 mm  |
| K- 07 40 47 33 | M 5   | 4 mm     | 25,2       | 8 mm  |
| K- 07 40 47 34 | M 5   | 5 mm     | 25,2       | 8 mm  |
| K- 07 40 47 35 | M 5   | 6 mm     | 25,7       | 9 mm  |
| K- 07 40 47 45 | G 1/8 | 4 mm     | 28,9       | 13 mm |
| K- 07 40 47 46 | G 1/8 | 5 mm     | 28,9       | 13 mm |
| K- 07 40 47 47 | G 1/8 | 6 mm     | 29,4       | 13 mm |
| K- 07 40 47 48 | G 1/8 | 8 mm     | 30,6       | 13 mm |
| K- 07 40 47 41 | G 1/4 | 4 mm     | 32,4       | 14 mm |
| K- 07 40 47 42 | G 1/4 | 5 mm     | 32,4       | 14 mm |
| K- 07 40 47 43 | G 1/4 | 6 mm     | 32,9       | 14 mm |
| K- 07 40 47 44 | G 1/4 | 8 mm     | 34,0       | 14 mm |
| K- 07 40 47 39 | G 1/4 | 10 mm    | 38,2       | 14 mm |
| K- 07 40 47 40 | G 1/4 | 12 mm    | 40,7       | 14 mm |
| K- 07 40 47 52 | G 3/8 | 8 mm     | 35,4       | 17 mm |
| K- 07 40 47 49 | G 3/8 | 10 mm    | 38,7       | 17 mm |
| K- 07 40 47 50 | G 3/8 | 12 mm    | 42,2       | 17 mm |
| K- 07 40 47 51 | G 3/8 | 14 mm    | 46,2       | 17 mm |
| K- 07 40 47 36 | G 1/2 | 10 mm    | 41,0       | 19 mm |
| K- 07 40 47 37 | G 1/2 | 12 mm    | 44,2       | 22 mm |
| K- 07 40 47 38 | G 1/2 | 14 mm    | 48,2       | 22 mm |