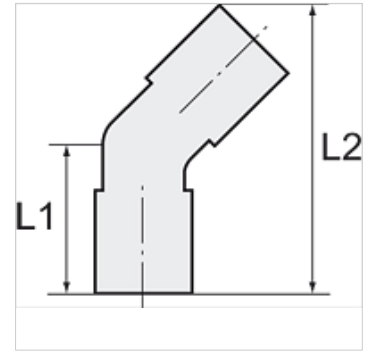


K-STECKNIPPEL 45°

45° elbow connectors with push-in plug

属性

工作压力	Max. 15 bar, coarse vacuum
应用范围	Air, vacuum
推荐的软管	PU or PA (nylon)
适用介质	Compressed air and all gases or liquids that are compatible with the materials
温度范围	-20 °C to +80 °C
原料	Plastic, Nickel plated brass
紧压环	Plastic



提示

其它数据应客户要求提供。

描述

Push-in fittings series manufactured in plastic and nickel-plated brass. All parts are suitable for use with hoses, tubes or pipes made of plastic and copper.

货品

名称	用于软管外径-Ø	L1 (mm)	L2 (mm)	插式内接头 (mm)
K- 07 40 04 88	4 mm	16,2	46,7	4
K- 07 40 04 89	6 mm	17,4	51,2	6
K- 07 40 04 90	8 mm	20,5	60,0	8
K- 07 40 04 91	10 mm	23,1	68,8	10
K- 07 40 04 92	12 mm	26,0	76,1	12