

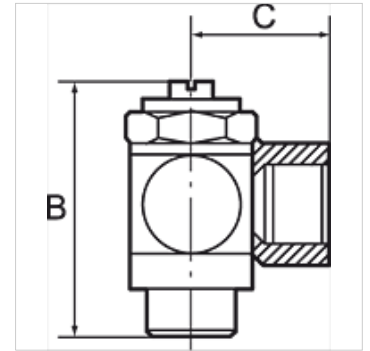
K-DRV GEW V SCHLITZ

Unidirectional flow control valves, incoming air restriction (»V«), screw connection

HANSA FLEX

属性

工作压力	最大 10 巴
温度范围	0 °C to +70 °C
空心螺钉, 摆臂, 调节螺钉	Nickel-plated brass
内部部件	Brass with a bare metal surface
O 形圈凸缘密封件	NBR
密封(防丢失)	Polyamide (glass fibre-reinforced)



提示

其它数据应客户要求提供。

描述

For fine regulation of a cylinder piston speed in the forward and return motion and precise control of flow rates. Designed as a banjo-type valve with a hollow bolt and ring piece. Can be screwed directly onto the valve or cylinder to restrict the incoming air. Compact type of construction, also ideal where space is restricted.

货品

名称	接口	C (mm)	螺纹	SW	B (mm)
K- 07 15 25 21	M 5 female thread	11,5	M 5	8 mm	24,5
K- 07 15 05 70	G 1/8 female thread	16,0	G 1/8	14 mm	32,0
K- 07 15 05 66	G 1/4 female thread	22,0	G 1/4	17 mm	40,0
K- 07 15 25 22	G 3/8 female thread	26,0	G 3/8	20 mm	50,0