

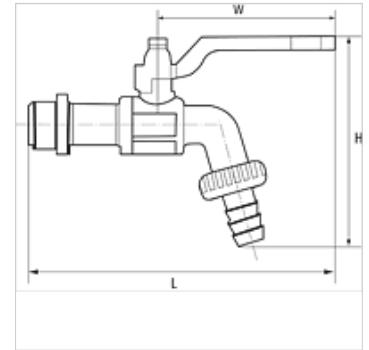
# K-KUGELAUSLAUFHAEHNE VA

Bibcocks - Stainless steel

**HANSA FLEX**

## 属性

应用范围	Water, gaseous and non-corrosive media, compressed air
工作压力	16 bar
温度范围	-10 °C to +150 °C
密封	Teflon/NBR
壳体	Stainless steel 1.4401
原料	sealing: Teflon/NBR



## 提示

其它数据应客户要求提供。

## 描述

With hose connector, thread acc. to ISO 228-1, with lockable hand lever

## 货品

名称	DN	接口	PN (bar)	H (mm)	L (mm)	W (mm)
K- 07 30 30 30	12	G 1/2 male	16	91,0	149,0	90,0
K- 07 30 30 32	20	G 3/4 male	16	102,0	156,0	90,0
K- 07 30 30 28	25	G 1 male	16	116,0	145,0	90,0