

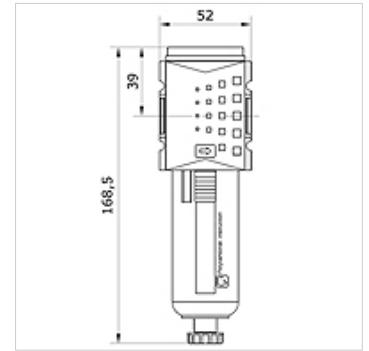
# K-FI FEIN HANSA PRO

Compressed air fine filter, with manual/semi-automatic condensate drain, HANSA PRO

**HANSA FLEX**

## 属性

介质温度	-10 °C to +50 °C
环境温度	-10 °C to +50 °C
适用介质	压缩空气
结构类型	fiber filter
固定形式	Line mounting, mounting kit or wall mounting
装入位置	Vertical, drain down
过滤精度	0,01 µm
过滤器效率	99.999 %
额定流量 G 1/2	750 l/min (P1 = 6 bar/Delta P = 0,1 bar)
额定流量 G 3/8	750 l/min (P1 = 6 bar/Delta P = 0,1 bar)
PE 最大	16 bar
过滤器元件	Borsilicate-Al
壳体	PA66
剩余油含量	0,01 mg/m3



## 货品

名称	接口	容器	结构尺寸	冷凝水排放
K- 07 25 21 28	G 3/8 i	polycarbonate with protective cage	2	manual / semi-automatic
K- 07 25 21 29	G 1/2 i	polycarbonate with protective cage	2	manual / semi-automatic
K- 07 25 21 30	G 3/8 i	zinc with visual display	2	manual / semi-automatic
K- 07 25 21 31	G 1/2 i	zinc with visual display	2	manual / semi-automatic