

# K-G VB 20-63 INFI

Straight push-in connector  $\varnothing$  20 mm –  $\varnothing$  63 mm

**HANSA FLEX**

## 属性

适用介质 Compressed air, vacuum, inert gases

工作压力 -0,99 bar - 15 bar

温度范围 -20 °C to +80 °C

密封 NBR

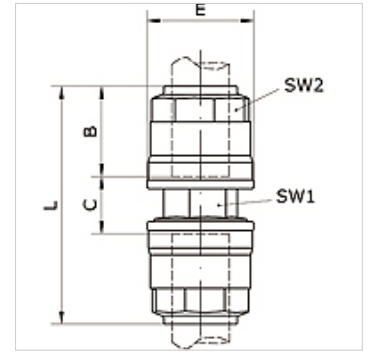
壳体 Nickel-plated brass

夹紧环 Stainless steel 1.4301

螺母 Nickel-plated brass

O 形圈 NBR

防护垫圈 Technopolymer



## 货品

名称	管外径 $\varnothing$	B (mm)	C (mm)	E (mm)	L (mm)	SW1 (mm)	SW2 (mm)
K- 07 40 53 50	20 mm	31,5	14,5	34,5	76,5	21	30
K- 07 40 53 51	25 mm	38,5	13,5	42,5	90,5	26	35
K- 07 40 53 52	32 mm	46,0	14,5	52,0	106,5	32	45
K- 07 40 53 53	40 mm	52,0	21,0	63,0	125,0	41	55
K- 07 40 53 54	50 mm	63,5	21,5	73,0	148,5	50	65