

# K-T-STECK VB 80-100 INFI

T-push-in connector Ø 80 mm/Ø 110 mm

**HANSA FLEX**

## 属性

适用介质 Compressed air, vacuum, inert gases

工作压力 -0,99 bar - 15 bar

温度范围 -20 °C to +80 °C

导环 Technopolymer

壳体 Aluminium, treated surface

内六角螺栓 Galvanised steel

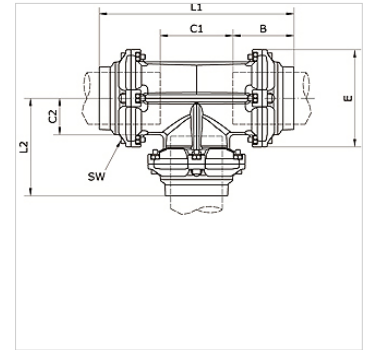
夹紧环 Stainless steel 1.4301

螺母 Aluminium, surface treated

O 形圈 NBR

自锁式螺母 Galvanised steel

防护垫圈 Technopolymer



## 货品

名称	管外径 Ø	B (mm)	C1 (mm)	C2 (mm)	E (mm)	L1 (mm)	L2 (mm)	SW (mm)
K- 07 40 55 16	80 - 80 - 80 mm	91,0	109,0	54,5	145,0	291,5	138,0	6
K- 07 40 54 67	110 - 110 - 110 mm	125,5	150,5	75,0	200,0	401,0	200,5	8