

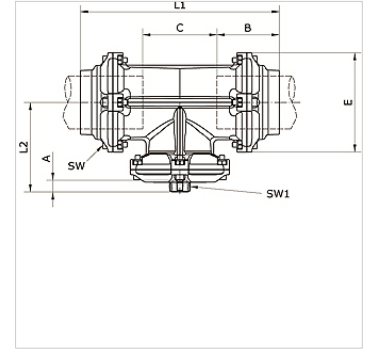
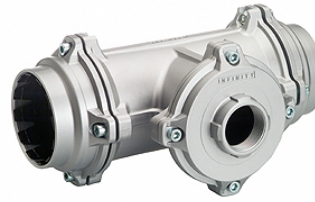
K-T-STECK VB 80-100 RED ABG INFI

T-push-in connector Ø 80 mm/Ø 110 mm with reduced outlet and female thread

HANSA FLEX

属性

适用介质	Compressed air, vacuum, inert gases
工作压力	-0,99 bar - 15 bar
温度范围	-20 °C to +80 °C
导环	Technopolymer
壳体	Aluminium, treated surface
内六角螺栓	Galvanised steel
夹紧环	Stainless steel 1.4301
螺母	Aluminium, surface treated
O 形圈	NBR
自锁式螺母	Galvanised steel
防护垫圈	Technopolymer



货品

名称	管外径 Ø	接口	A (mm)	B (mm)	C (mm)	E (mm)	L1 (mm)	L2 (mm)	SW (mm)	SW1 (mm)
K- 07 40 55 21	80 - 80 mm	G 3/4	14,5	91,0	109,0	145,0	291,5	138,0	6	42
K- 07 40 54 68	110 - 110 mm	G 3/4	14,5	125,5	150,5	200,0	401,0	180,0	8	42