

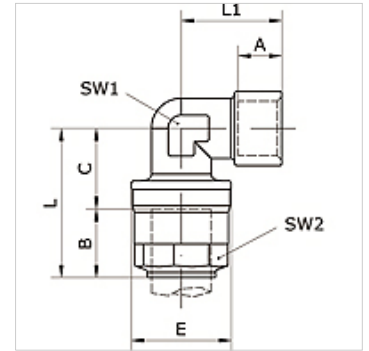
K-W90 STECK IG 20-63 INFI

90°-elbow push-in connector Ø 20 mm – Ø 63 mm with internal thread

HANSA FLEX

属性

适用介质	Compressed air, vacuum, inert gases
工作压力	-0,99 bar - 15 bar
温度范围	-20 °C to +80 °C
密封	NBR
壳体	Nickel-plated brass
夹紧环	Stainless steel 1.4301
螺母	Nickel-plated brass
O 形圈	NBR
防护垫圈	Technopolymer



货品

名称	管外径 Ø	接口	A (mm)	B (mm)	C (mm)	E (mm)	L (mm)	L1 (mm)	SW1 (mm)	SW2 (mm)
K- 07 40 53 74	20 mm	G 1/2"	13,0	31,5	19,0	34,5	51,0	34,5	21	30
K- 07 40 53 75	25 mm	G 3/4	14,5	38,5	23,0	42,5	61,5	38,5	26	35
K- 07 40 53 76	32 mm	G 1	16,5	46,0	28,0	52,0	74,5	47,5	34	45
K- 07 40 53 77	40 mm	G 1 1/4	20,0	52,0	34,0	63,0	86,5	56,5	41	55
K- 07 40 53 78	50 mm	G 1 1/2	22,0	63,5	40,5	73,0	104,0	64,7	50	65