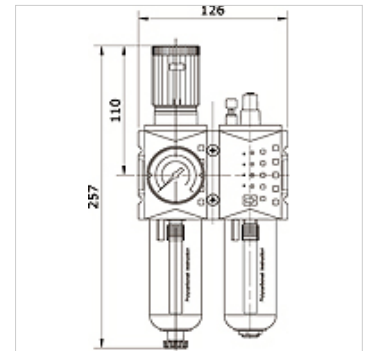


K-WTEH 2-TEILIG HANSA PRO

2-part service unit, with manual/semi-automatic condensate drain and pressure gauge, HANSA PRO

HANSA FLEX

| 属性 | |
|-----------------------|--|
| 出口压力 | Pa 0,5 - 8 bar (Standart) Pa 0,1 - 1 bar Pa 0,1 - 2 bar Pa 0,2 - 4 bar Pa 0,5 - 10 bar Pa 0,5 - 16 bar |
| 介质温度 | -10 °C to +50 °C |
| 环境温度 | -10 °C to +50 °C |
| 适用介质 | 压缩空气 |
| 结构类型 | Diaphragm pressure regulator with relieving, centrifugal filter, mist lubricator |
| 固定形式 | Line mounting, panel mounting, mounting kit or wall mounting |
| 操纵件 / 保险装置 | lockable handwheel |
| 装入位置 | Vertical, drain down |
| 过滤精度 | 5,00 µm |
| 压力表接口 | G 1/4 i |
| 最大冷凝水量 | 49 cc |
| 最大注油量 | 80 cc |
| 额定流量 G 1/2 | 3.500 l/min (P1 = 10 bar, P2 = 6,3 bar/Delta P = 1 bar) |
| 额定流量 G 3/8 | 3.500 l/min (P1 = 10 bar, P2 = 6,3 bar/Delta P = 1 bar) |
| qv=1000 l/min 条件下的油配量 | 1-2 drops / min (guideline) |
| PE 最大 12 | 16 bar |
| 过滤器元件 | Cellpor |
| 壳体 | PA66 |
| 膜片,密封 | Ms/NBR/PA6 |
| 泄水头 | Polycarbonate |
| 油种类 | CL 32 acc. to DIN 51517 - ISO VG 32 |



货品

| 名称 | 接口 | 调节范围 | 显示范围 | 容器 | 结构尺寸 | 冷凝水排放 |
|----------------|---------|--------------|-------------|------------------------------------|------|-------------------------|
| K- 07 25 21 88 | G 3/8 i | 0.1 - 1 bar | 0 - 1,6 bar | polycarbonate with protective cage | 2 | manual / semi-automatic |
| K- 07 25 21 89 | G 3/8 i | 0.1 - 2 bar | 0 - 2,5 bar | polycarbonate with protective cage | 2 | manual / semi-automatic |
| K- 07 25 21 90 | G 3/8 i | 0.2 - 4 bar | 0 - 6 bar | polycarbonate with protective cage | 2 | manual / semi-automatic |
| K- 07 25 21 91 | G 3/8 i | 0.5 - 8 bar | 0 - 10 bar | polycarbonate with protective cage | 2 | manual / semi-automatic |
| K- 07 25 21 92 | G 3/8 i | 0.5 - 10 bar | 0 - 16 bar | polycarbonate with protective cage | 2 | manual / semi-automatic |
| K- 07 25 21 93 | G 3/8 i | 0.5 - 16 bar | 0 - 25 bar | polycarbonate with protective cage | 2 | manual / semi-automatic |
| K- 07 25 21 94 | G 1/2 i | 0.1 - 1 bar | 0 - 1,6 bar | polycarbonate with protective cage | 2 | manual / semi-automatic |
| K- 07 25 21 95 | G 1/2 i | 0.1 - 2 bar | 0 - 2,5 bar | polycarbonate with protective cage | 2 | manual / semi-automatic |
| K- 07 25 21 96 | G 1/2 i | 0.2 - 4 bar | 0 - 6 bar | polycarbonate with protective cage | 2 | manual / semi-automatic |
| K- 07 25 21 97 | G 1/2 i | 0.5 - 8 bar | 0 - 10 bar | polycarbonate with protective cage | 2 | manual / semi-automatic |
| K- 07 25 21 98 | G 1/2 i | 0.5 - 10 bar | 0 - 16 bar | polycarbonate with protective cage | 2 | manual / semi-automatic |
| K- 07 25 21 99 | G 1/2 i | 0.5 - 16 bar | 0 - 25 bar | polycarbonate with protective cage | 2 | manual / semi-automatic |
| K- 07 25 22 00 | G 3/8 i | 0.1 - 1 bar | 0 - 1,6 bar | zinc with visual display | 2 | manual / semi-automatic |
| K- 07 25 22 01 | G 3/8 i | 0.1 - 2 bar | 0 - 2,5 bar | zinc with visual display | 2 | manual / semi-automatic |
| K- 07 25 22 02 | G 3/8 i | 0.2 - 4 bar | 0 - 6 bar | zinc with visual display | 2 | manual / semi-automatic |
| K- 07 25 22 03 | G 3/8 i | 0.5 - 8 bar | 0 - 10 bar | zinc with visual display | 2 | manual / semi-automatic |
| K- 07 25 22 04 | G 3/8 i | 0.5 - 10 bar | 0 - 16 bar | zinc with visual display | 2 | manual / semi-automatic |
| K- 07 25 22 05 | G 3/8 i | 0.5 - 16 bar | 0 - 25 bar | zinc with visual display | 2 | manual / semi-automatic |
| K- 07 25 22 06 | G 1/2 i | 0.1 - 1 bar | 0 - 1,6 bar | zinc with visual display | 2 | manual / semi-automatic |
| K- 07 25 22 07 | G 1/2 i | 0.1 - 2 bar | 0 - 2,5 bar | zinc with visual display | 2 | manual / semi-automatic |
| K- 07 25 22 08 | G 1/2 i | 0.2 - 4 bar | 0 - 6 bar | zinc with visual display | 2 | manual / semi-automatic |
| K- 07 25 22 09 | G 1/2 i | 0.5 - 8 bar | 0 - 10 bar | zinc with visual display | 2 | manual / semi-automatic |
| K- 07 25 22 10 | G 1/2 i | 0.5 - 10 bar | 0 - 16 bar | zinc with visual display | 2 | manual / semi-automatic |
| K- 07 25 22 11 | G 1/2 i | 0.5 - 16 bar | 0 - 25 bar | zinc with visual display | 2 | manual / semi-automatic |