

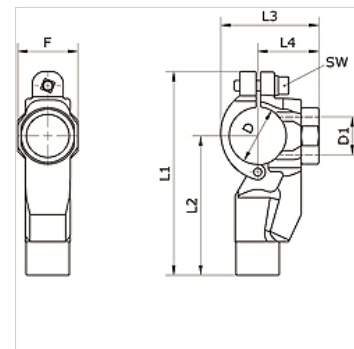
K-BOHRVORRICHTUNG 20-63 INFI

Drilling device for quick assembly \varnothing 20 mm – \varnothing 63 mm

HANSA FLEX

属性

原料 黄铜镀镍



货品

| 名称 | 管外径 \varnothing | D (mm) | D1 (mm) | F (mm) | L1 (mm) | L2 (mm) | L3 (mm) | L4 (mm) | SW (mm) |
|----------------|-------------------|-----------|------------|-----------|------------|------------|------------|------------|------------|
| K- 07 40 54 54 | 32 - 24,5 mm | 32 | 24,5 | 34,0 | 115,0 | 79,0 | 56,0 | 35,0 | 5 |
| K- 07 40 54 55 | 40 - 24,5 mm | 40 | 24,5 | 34,0 | 127,0 | 86,5 | 65,0 | 39,5 | 5 |
| K- 07 40 54 56 | 50 - 32 mm | 50 | 32,0 | 42,5 | 146,0 | 97,0 | 79,0 | 47,5 | 6 |
| K- 07 40 54 57 | 63 - 32 mm | 63 | 32,0 | 42,5 | 163,5 | 108,5 | 93,0 | 55,0 | 6 |