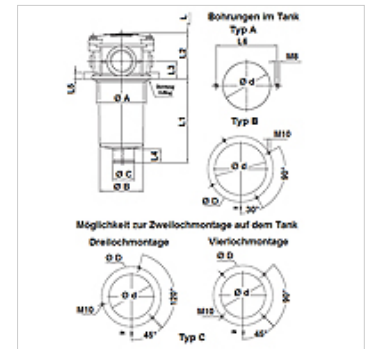


属性

规格	带1.75巴旁通阀,无污浊度显示
原料	密封:NBR
工作压力	最大8巴
供货范围	无过滤元件



提示

尺寸“L”:需要用于更换过滤器元件的自由空间

描述

用于安装在油箱顶盖的回流过滤器、钻孔图尺寸见图形。
Connector for clogging indicator G 1/8" closed with bolt

订购指南

不包含过滤器元件!请单独订购。

货品

名称	用于过滤器类型	管路接口	Ø A	Ø B	Ø C	Ø d	L	L1	L2	L3	L4	L5	L6	类型	重量 (kg)
			(mm)	(mm)	(mm)	(mm)	(mm)	(mm)	(mm)	(mm)	(mm)	(mm)	(mm)		
FI RL GEH N 024 048 1/2	FI RL 024,048	G 1/2"	66,0	60,0	32,0	67,0	100,0	86,0	59,0	22,0	19,0	8,0	90,0	A	0,28
FI RL GEH N 053 110 1/2	FI RL 053, 110	G 1/2"	88,0	80,0	38,0	89,0	120,0	100,0	82,0	32,0	24,0	12,0	115,0	A	0,58
FI RL GEH N 053 086 3/4	FI RL 053, 086	G 3/4"	88,0	80,0	38,0	89,0	120,0	100,0	82,0	32,0	24,0	12,0	115,0	A	0,58
FI RL GEH N 053 086 1	FI RL 053, 086	G 1"	88,0	80,0	38,0	89,0	120,0	100,0	82,0	32,0	24,0	12,0	115,0	A	0,58
FI RL GEH N 064 150 3/4	FI RL 064, 150	G 3/4"	88,0	80,0	38,0	89,0	170,0	150,0	80,0	32,0	24,0	12,0	115,0	A	0,60
FI RL GEH N 064 150 1	FI RL 064, 150	G 1"	88,0	80,0	38,0	89,0	170,0	150,0	80,0	32,0	24,0	12,0	115,0	A	0,60
FI RL GEH N 125 225 3/4	FI RL 125, 225	G 3/4"	88,0	80,0	46,5	89,0	250,0	225,0	80,0	32,0	24,0	12,0	115,0	A	0,64
FI RL GEH N 125 225 1	FI RL 125, 225	G 1"	88,0	80,0	46,5	89,0	250,0	225,0	80,0	32,0	24,0	12,0	115,0	A	0,64
FI RL GEH N 190 230 1 1/4	FI RL 190, 230	G 1.1/4"	129,5	112,0	47,0	131,0	250,0	233,0	91,0	35,0	31,0	13,0	175,0	C	1,41
FI RL GEH N 280 290 1 1/4	FI RL 280, 290	G 1.1/4"	173,5	150,0	51,0	174,5	200,0	180,0	97,0	38,5	38,0	12,5	220,0	B	2,87
FI RL GEH N 290 370 1 1/2	FI RL 290, 370	G 1.1/2"	173,5	150,0	51,0	174,5	200,0	180,0	97,0	38,5	38,0	12,5	220,0	B	2,87
FI RL GEH N 290 370 2	FI RL 290, 370	G 2"	173,5	150,0	51,0	174,5	200,0	180,0	97,0	38,5	38,0	12,5	220,0	B	2,87
FI RL GEH N 320 450 1 1/2	FI RL 320, 450	G 1.1/2"	173,5	150,0	64,0	174,5	250,0	238,0	98,5	38,5	38,0	12,5	220,0	B	2,87
FI RL GEH N 420 540 1 1/2	FI RL 420, 540	G 1.1/2"	173,5	150,0	64,0	174,5	310,0	290,0	97,0	38,5	38,0	12,5	220,0	B	2,87
FI RL GEH N 540 675 2	FI RL 540, 675	G 2"	173,5	150,0	64,0	174,5	310,0	290,0	97,0	38,5	38,0	12,5	220,0	B	2,87
FI RL GEH N 620 750 2	FI RL 620, 750	G 2"	173,5	150,0	64,0	174,5	450,0	430,0	105,0	48,5	38,0	12,5	220,0	B	4,36
FI RL GEH N 620 750 SAE2	FI RL 620, 750	2" SAE 3000 PSI/M	173,5	150,0	64,0	174,5	450,0	430,0	105,0	48,5	38,0	12,5	220,0	B	4,36

附件

HK VA MAN	Clogging indicator pressure gauge
FI RL RVL	回流过滤器的管道延长件

是下述产品的备件

FI RL	回流过滤器
-------	-------

附加元件

FI RL E MP	回流过滤器元件 MP
------------	------------